



DL 06-130/T plus-EN54

- quick mounting
- excellent sound
- BS 5839



EN 54-24:2008
Ref. Nr.: 010-14
ID-Code: SAA-LS01
1438/CPR/0233

ic audio GmbH, Boehringerstraße 14a,
D-68307 Mannheim, Germany

CE-Symbol gemäß Richtlinie 93/68EWG

The 6W powered speaker is equipped with a 130mm 2-way system with neodymium tweeter and a 100V transformer with 3 power adjustments. The powder coated metal similar in RAL 9010 guarantees long-term stability. For additional reliability, a 2 pin-ceramic block, a thermal fuse is provided and the speaker chassis is impregnated against wetness.

The speaker is also secured with protection class IP 21C against the security risks of environmental influences. Quick and easy mounting with spring clamps and short tension distance. The connecting cables can be supplied by rubber grommets in the firedome.

The speaker is also compliant with the British Standard BS 5839, Part 8.

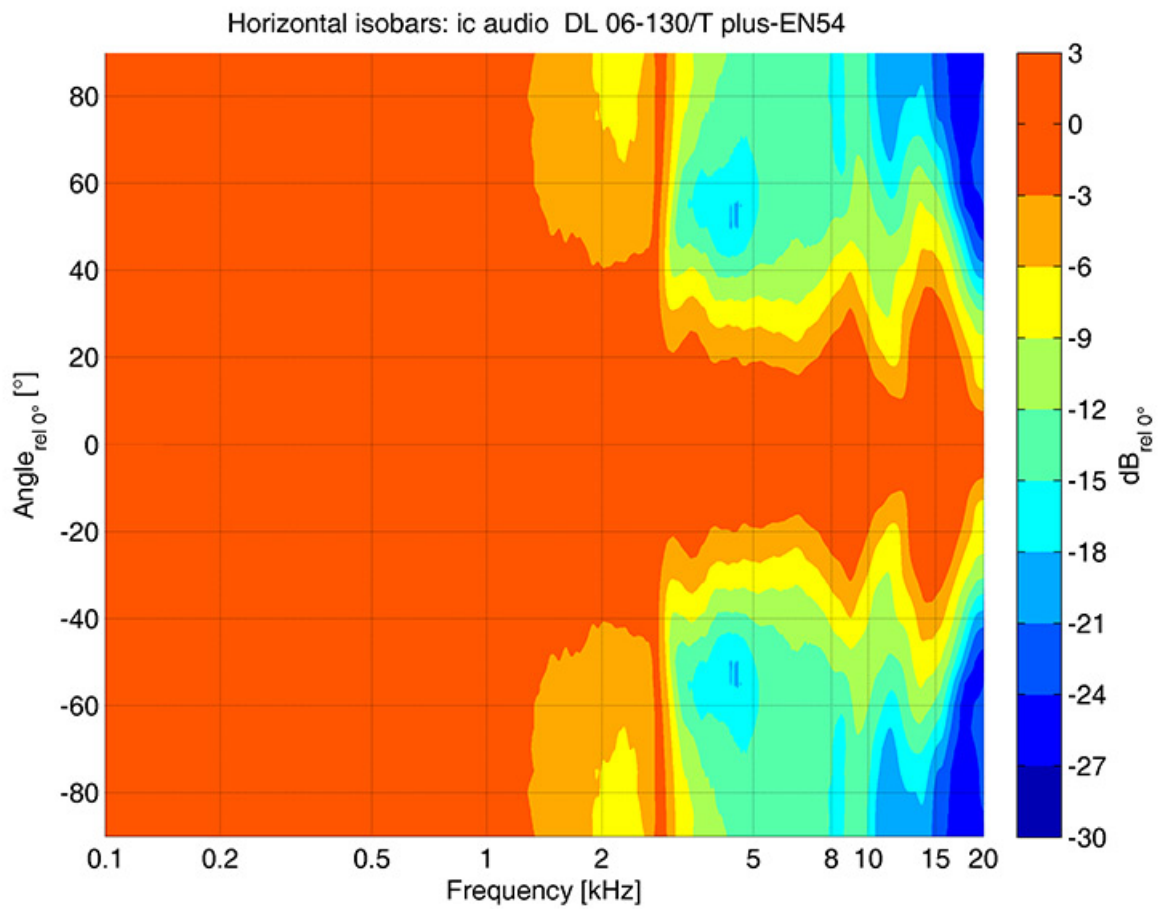
Perfectly suitable for installations where high sound quality is needed.

Special paint of the speaker in 4-digit RAL- or NCS- colour available at extra cost.

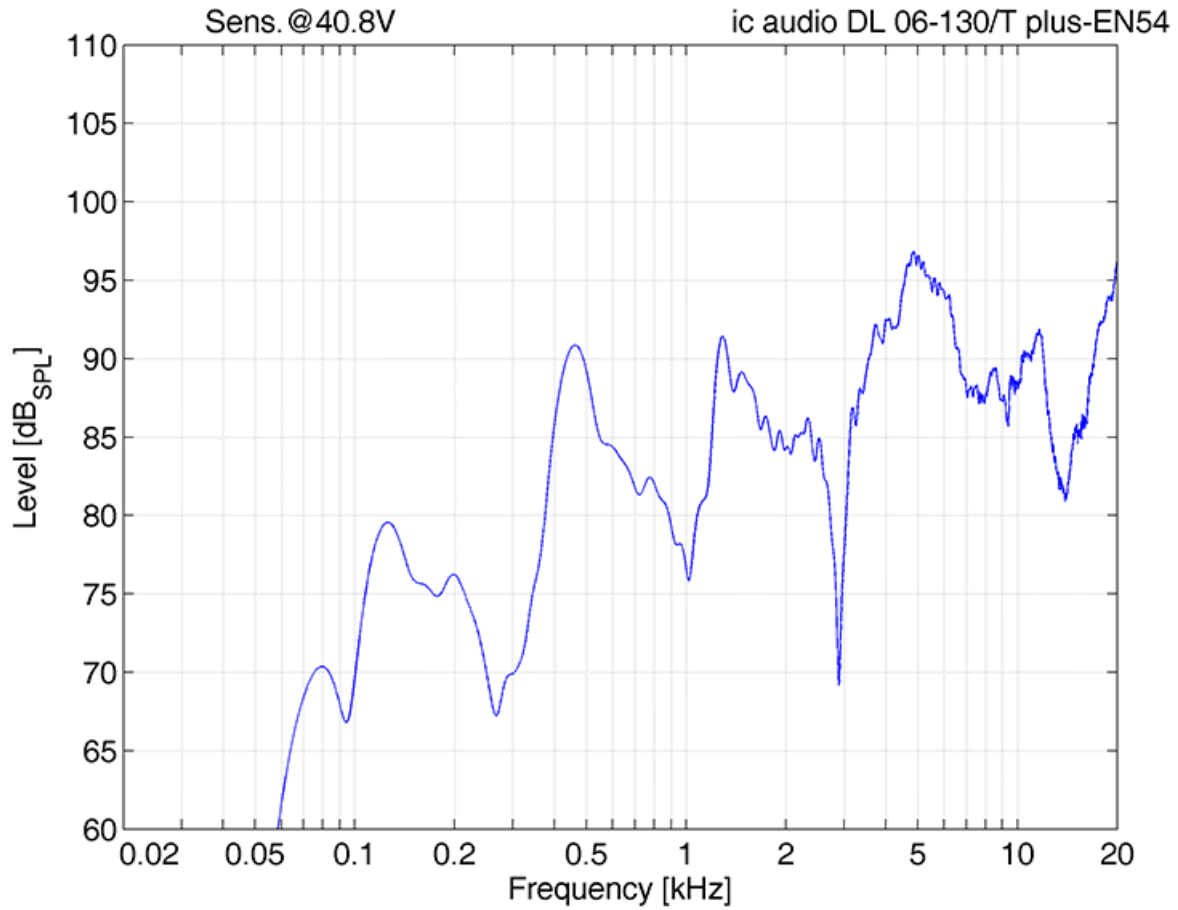
The firedome is included in the delivery.

This speaker is suitable for a ceiling strength of about 2 – 45 mm. Our specification is primarily related to solid ceilings, for ceilings with soft materials a higher ceiling thicknesses could be necessary. In addition, stronger cables and other fittings may also result in changes of the appropriate setup. With regard to the variety of materials and manufacturers, we recommend to build in a sample of the speaker to match the

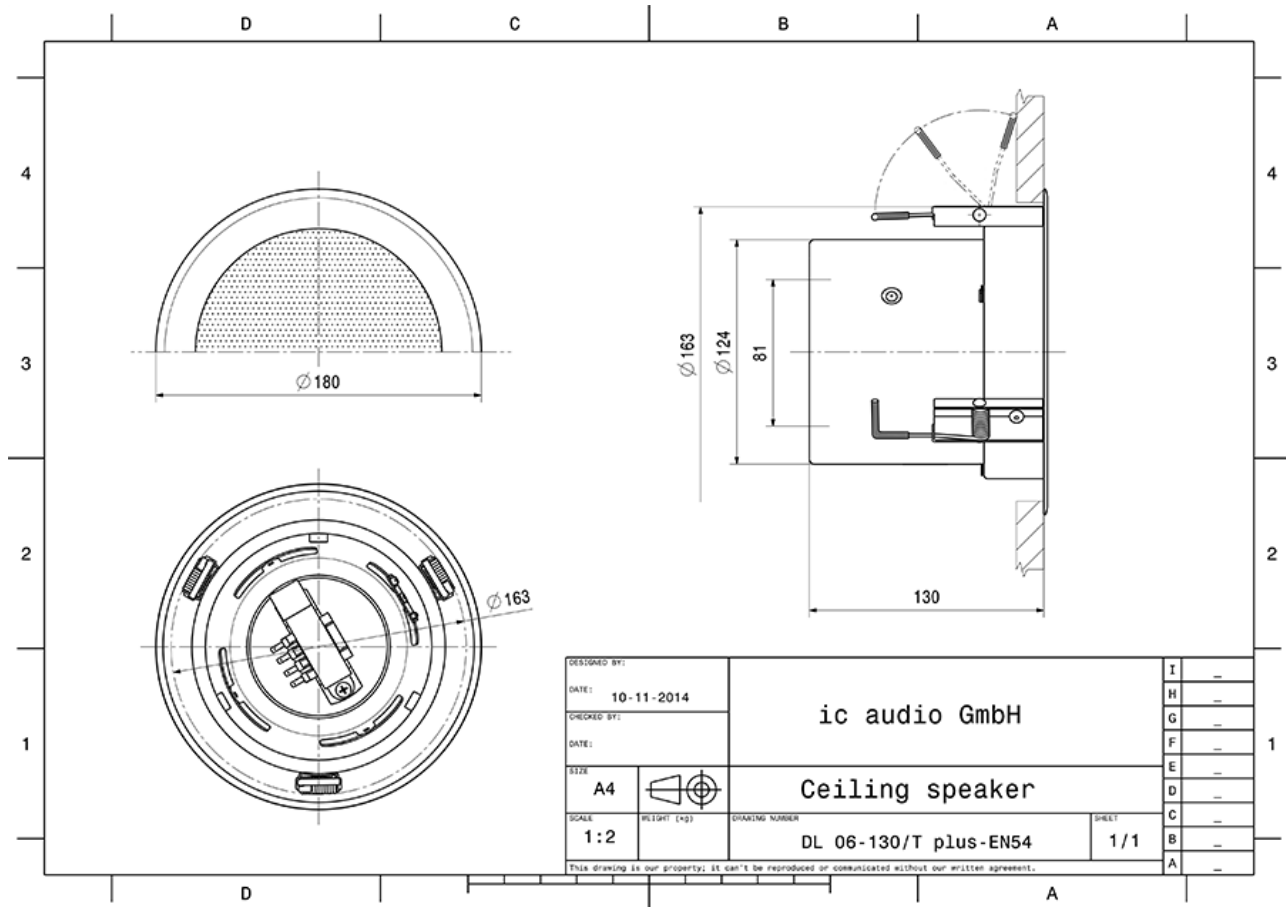
Requirements accurately.



Frequency Response Diagrams



Technical Diagrams



Technical Data (Electrical)

Description	DL 06-130/T plus-EN54
Power	6/3/1,5 W
Frequency Range	388 – 21.900 Hz
Frequency Response	237 – 24.000 Hz
SPL 1W/1m, peak	95,7 dB
SPL , 1W/4m, peak	83,7 dB
SPL Pmax/4m, peak	91,4 dB
Sensitivity EN54-24, 1W/4m	70,8 dB
Dispersion -6dB, 500Hz	180°
Dispersion -6dB, 1KHz	180°
Dispersion -6dB, 2KHz	139°
Dispersion -6dB, 4KHz	56°

Please note: Because of many different types of ceiling materials and ceiling strengths we recommend to build in a sample of the speaker to match the requirements accurately.

Technical Data (Mechanical)

Dimensions	180 x 133 mm
IP Rating	IP21
Weight (net)	1,66 kg
Ceiling Cut-out	169 mm
Temperature range	- 20 / +80 °C
Mounting	Quick fit mounting
Connector	2-pin ceramic block
Maximum cable cross section	8mm ²

Max. cable cross section loop	2x2mm ²
Colour	RAL 9010

Product Attributes



Measurements according to DIN IEC 268-5 | RoHS compliant (2011/65/EU)



Article Nr.: 20142897

Packing Unit: 12

